

Masport[®] Heating

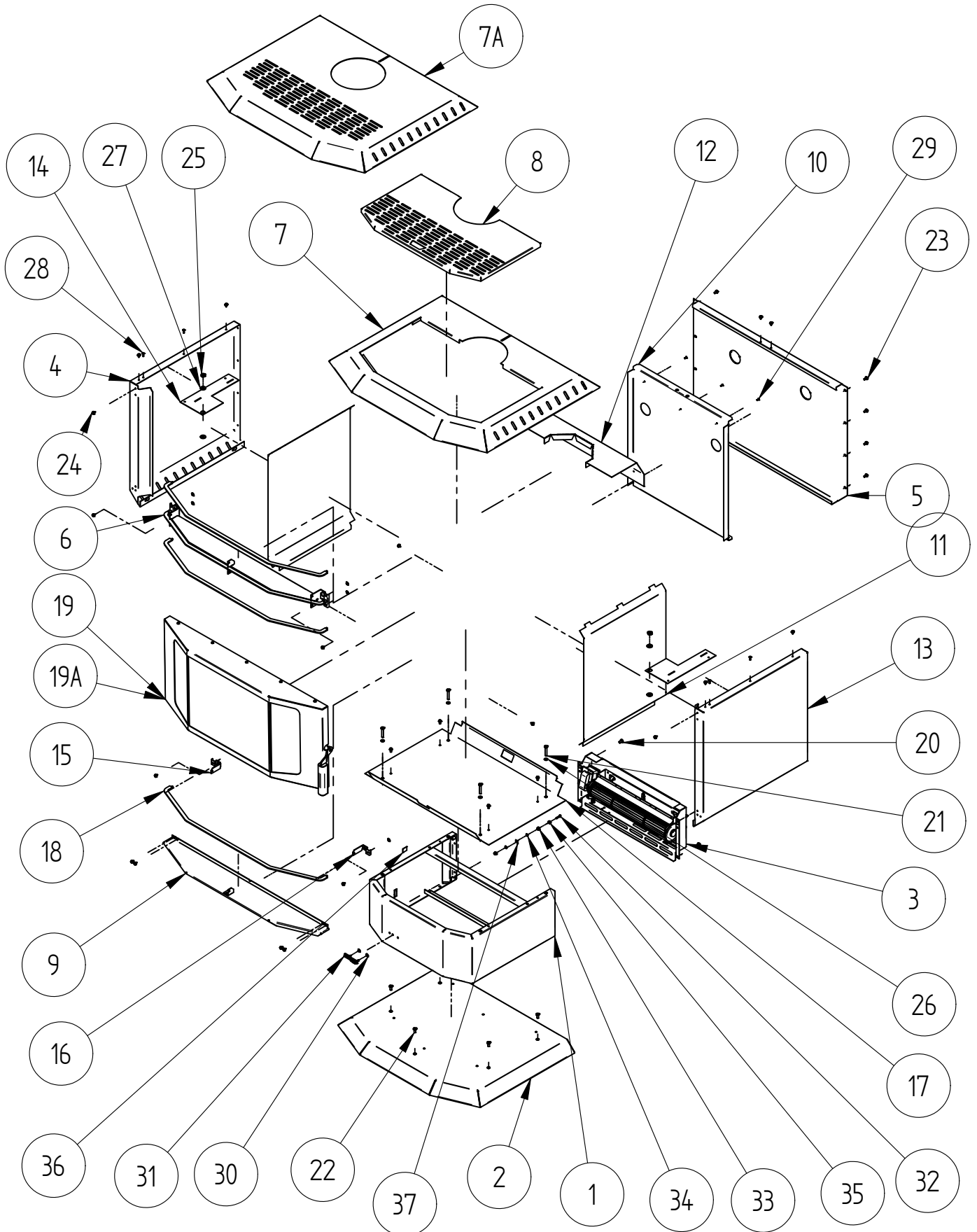
FREESTANDING WOOD FIRES

F12000HW - AUSTRALIA 2013

Item No.	MARKET	FUEL TYPE	FINISH	YEAR	FAN
995957	AU	HARDWOOD	Charcoal VHT Paint	SEP-2013	Yes
995958			Matt Black Enamel		



PANELS, DOOR AND PEDESTAL

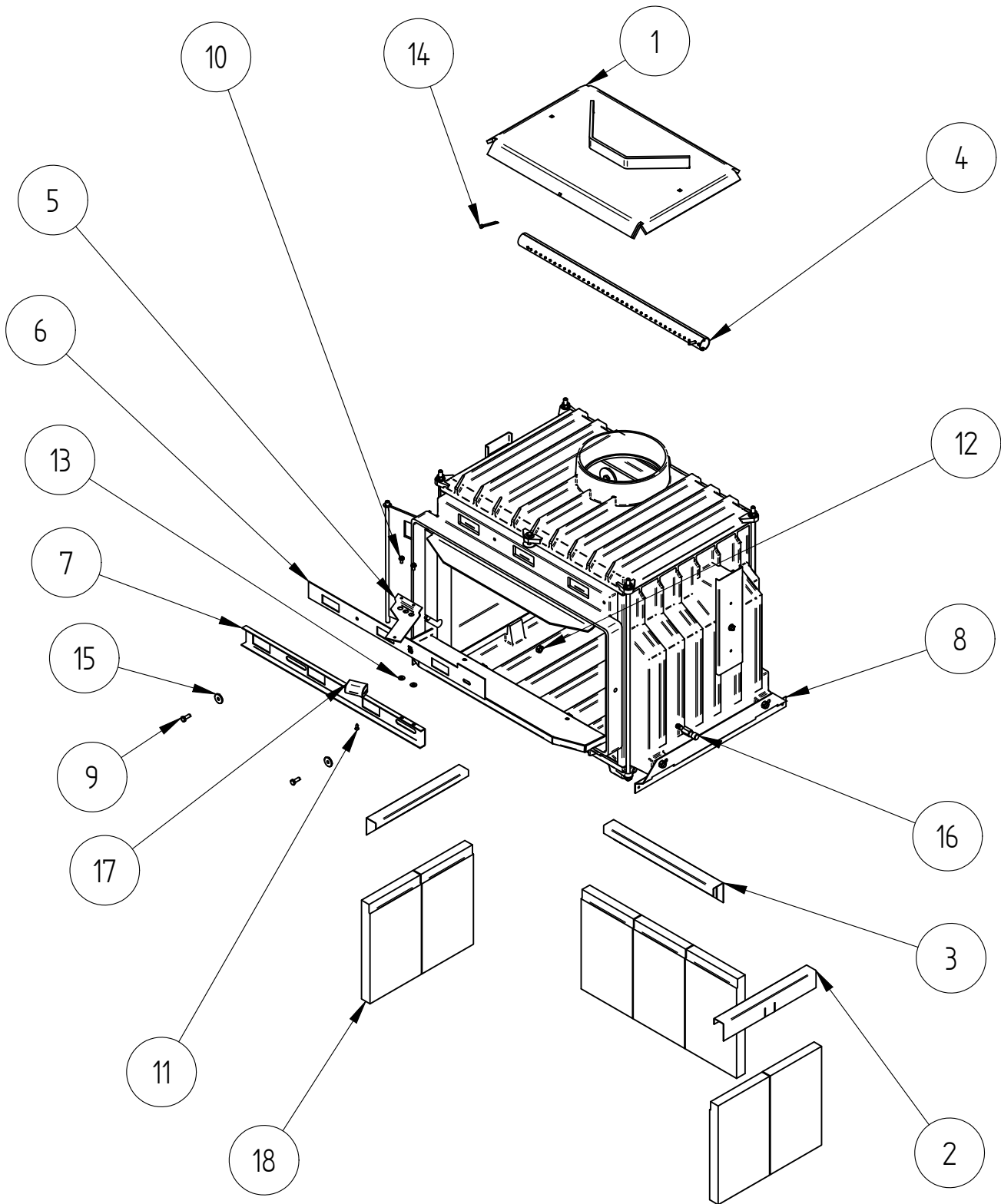


When ordering PLEASE QUOTE PART ID along with Finish Suffix (if applicable)

PANELS, DOOR AND PEDESTAL					
Item	Part ID	Models		Descriptions	Qty
		995957	995958		
1	995223	P03	P02	F12000, PEDESTAL WELDED	1
2	995225	P03	P02	F12000 BASE WELDED	1
3	994781	P03	P02	FAN ASSY COMPL FER GAS F10000 BLK PC	1
4	995512	V03	E01	PANEL - SIDE, LH GRANDVIEW	1
5	995513	P03	P02	PANEL - REAR, GRANDVIEW	1
6	995514	V03	V02	GRILLE ASSY-GRANDVIEW CHAR VHT	1
7	995768	N/A	E01	F10000R PANEL ASSY TOP	1
7A	995521	V03	N/A	TOP PANEL - GRANDVIEW	1
8	995769	N/A	E01	REMOVABLE TOP ASSY - F10000R	1
9	995525	V03	E01	PANEL ASS'Y FRONT, GRANDVIEW	1
10	995528	-	-	HEATSHIELD-BACK GRANDVIEW	1
11	995529	-	-	HEATSHIELD-SIDE GRANDVIEW	2
12	995771	-	-	FLUE DEFLECTOR F10000	1
13	995533	V03	E01	PANEL - SIDE, RH GRANDVIEW	1
14	995536	-	-	BRACE - TOP, SIDE PANEL	2
15	995537	V03	V02	BRACKET MOUNT GRILL BAR LH	1
16	995538	V03	V02	BRACKET MOUNT GRILL BAR RH	1
17	995540	-	-	HEATSHIELD - BOT, GRANDVIEW	1
18	995629	V04	V04	BLADE-GRILLE, GRANDVW TITANIUM VHT	3
19*	995763	-	N/A	DOOR ASSY COMPL, 3- GLASS, GRANDV CHAR VHT	1
19A	995966	N/A	-		
20	521045	-	-	SCREW; M6X10 PAN POZI BLK	2
21	521060	-	-	SCREW; M6X35 HEX ZP	4
22	521075	-	-	SCREW; M6X12 HEX ZP	5
23	521620	-	-	SCREW; S/T 10GX3/8" HEX FLANGE SLOT BLK	14
24	521635	-	-	SCREW; S/T 10GX3/8" HEX FLANGE BLK	20
25	522118	-	-	NUT; HEX STD M8 ZP	2
26	523031	-	-	WASHER; FLAT M6 ZP	4
27	523034	-	-	WASHER; FLAT M8X19X1.6 ZP	4
28	524006	-	-	RIVET; 73 AS 5-5	4
29	524010	-	-	RIVET; 73 AS 4-3 LONG	3
30	526001	-	-	CLIP; STARLOCK 4 DIA SLPO4	8
31	587836	-	-	BADGE MASPORT CAST	1
32	521015	-	-	SCREW; M4X16 PAN SLOT ZP	1
33	522800	-	-	NUT; SERRATED FLANGE M4 ZP	2
34	523028	-	-	WASHER; FLAT M5 BRS	2
35	523205	-	-	WASHER; STAR M4 EXT	1
36	585631	-	-	DECAL EARTH	1
37	596602	-	-	TAB 6.3mm X 45DEG -4.1mm	1

When ordering PLEASE QUOTE PART ID along with Finish Suffix (if applicable)

AIRSLIDE, BAFFLE, BRICKS AND FIREBOX

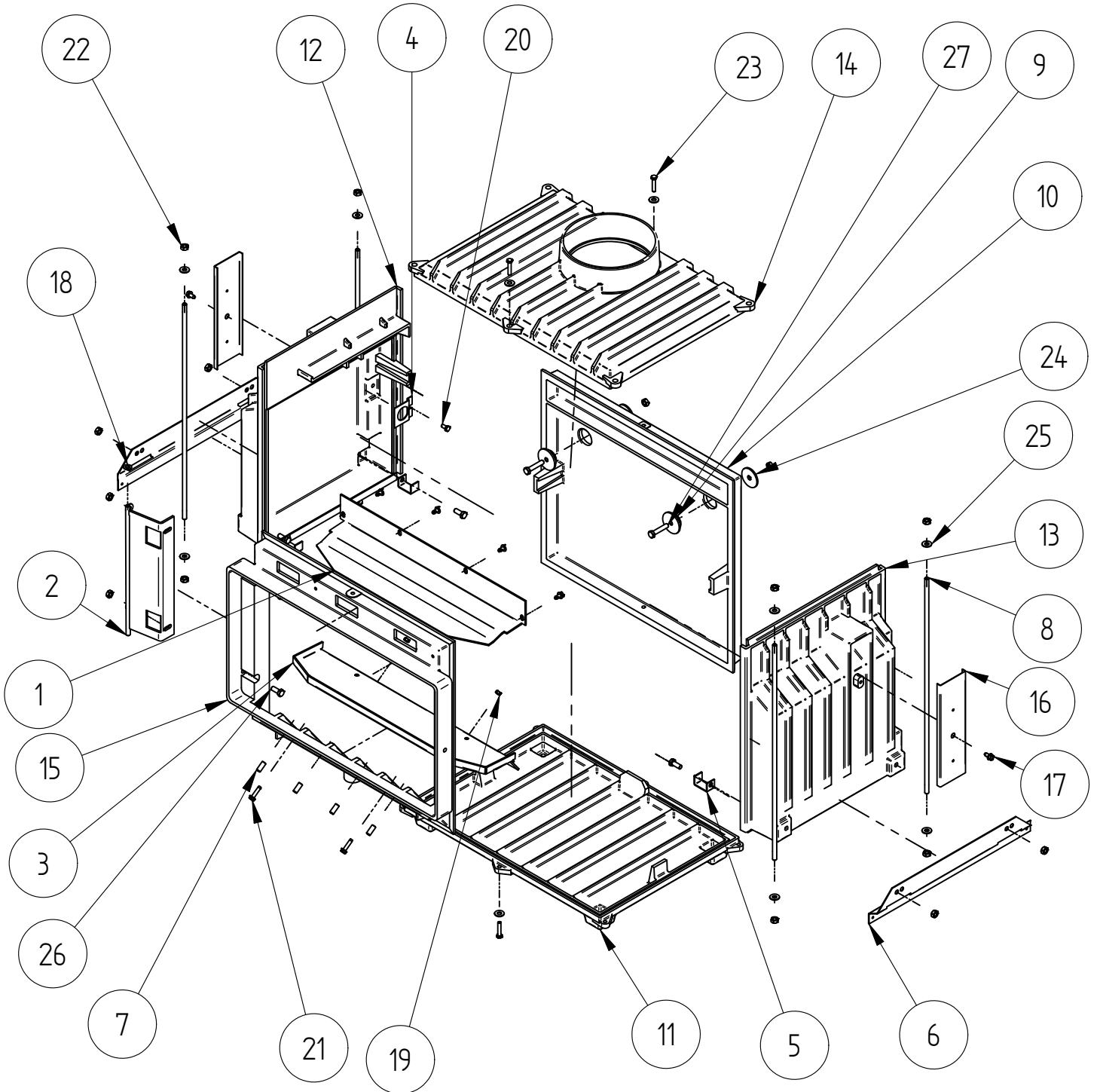


When ordering PLEASE QUOTE PART ID along with Finish Suffix (if applicable)

AIRSLIDE, BAFFLE, BRICKS AND FIREBOX					
Item	Par ID	Models		Descriptions	Qty
		995957	995958		
1	993436	V02	V02	BAFFLE ASSY STL F7000	1
2	994258	-	-	CHANNEL BRICK RETAINER F2000	2
3	987146	-	-	CHANNEL - BRICK RETAINER LE7000	1
4	993440	-	-	TUBE-SEC AIR,65X3.5 LE7/TO S/S	1
5	995551	-	-	AIR SLIDE EXTENSION GRANDVIEW	1
6	995783	-	-	F12000 PLATE - METERING 'F12' I.D. HOLES	1
7	995781	-	-	SLIDE - AIR INLET F12000	1
8	995733	-	-	F/B ASSY GRANDVIEW	1
9	521052	-	-	SCREW; M6X16 HEX BLK	2
10	521620	-	-	SCREW; S/T 10GX3/8" HEX FLANGE SLOT BLK	2
11	521642	-	-	SCREW; S/T 8GX1/2" CSK POZI ZP	1
12	522118	-	-	NUT; HEX STD M8 ZP	1
13	523000	-	-	WASHER; FLAT 3/16"X1/2"X18G ZP	2
14	525105	-	-	COTTER PIN 5.0X40 ZP	1
15	MIC00083	-	-	LOGAIRE METRO AIR SLIDE SPACER	2
16	595545	-	-	PIN-DOOR LATCHGRANDVIEW	1
17	986162	-	-	KNOB-AIR CONTROL WOODFIRE	1
18	MIC00354	-	-	MIC BRICK	7

When ordering PLEASE QUOTE PART ID along with Finish Suffix (if applicable)

FIREBOX DETAILS

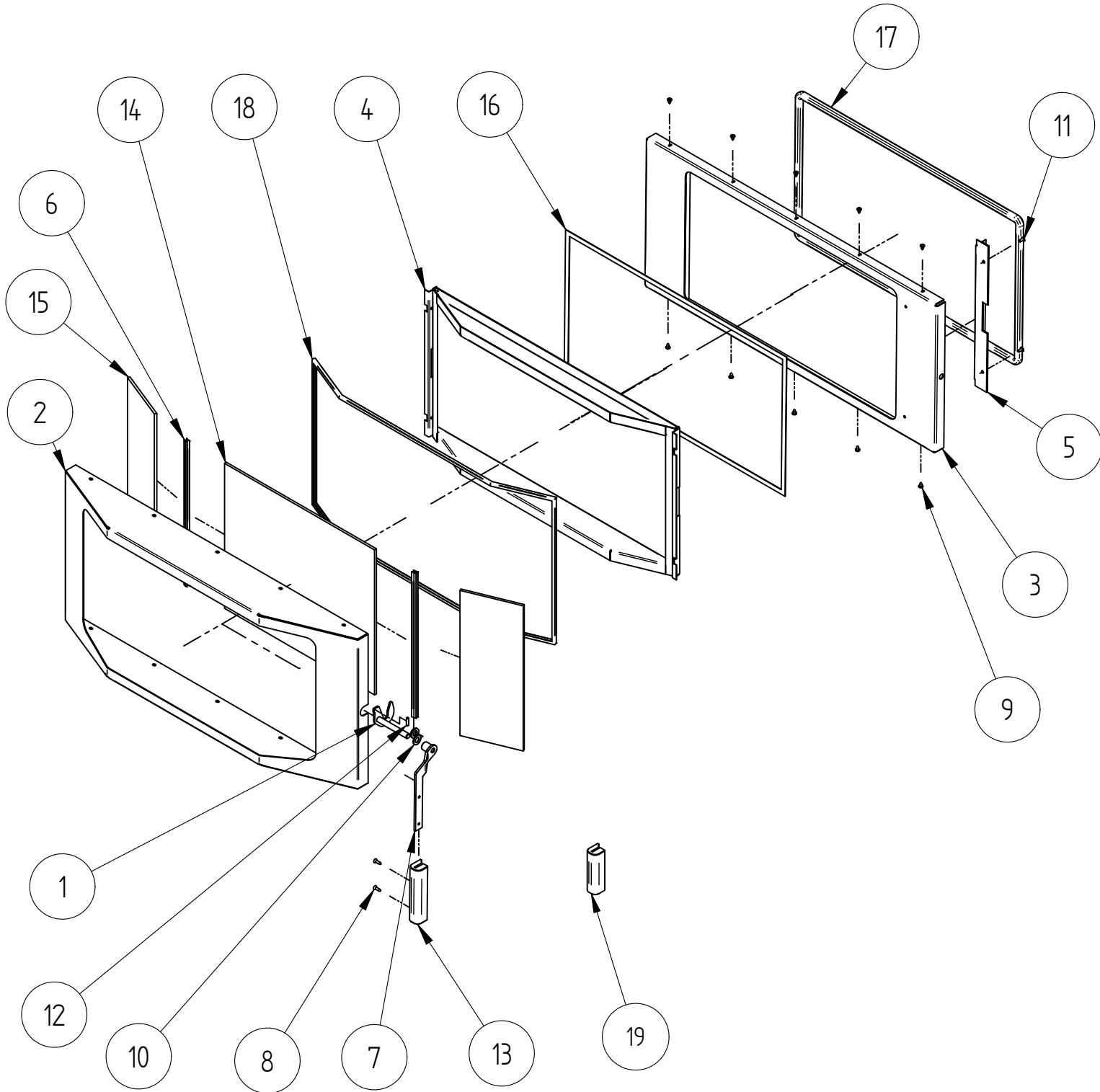


When ordering PLEASE QUOTE PART ID along with Finish Suffix (if applicable)

FIREBOX : 995733					
Item	Part ID	Models		Descriptions	Qty
		995957	995958		
1	995229	-	-	DEFECTOR - PRIMARY AIR, PANARAMA	1
2	995522	-	-	HINGE ASSY GRANDVIEW	1
3	995524	V02	V02	WELD ASH RETAINER GRANDVIEW ASSEMBLY	1
4	995541	-	-	BRACKET-RETAIN	2
5	995542	-	-	BRKT-BOARD D/D GDVW	4
6	995548	-	-	BRACKET MOUNTING CABINET	2
7	525007	-	-	PIN; TENSION 8X20 BLK BISSELL 001791	4
8	587108	-	-	ROD; TIE M8X 510	4
9	684089	-	-	PLUG, 34DIAPITTS/FATSO/WFIRE	2
10	687103	-	-	F/B BACK LE7&PR/CLRDO/GDVW/TOR	1
11	687104	-	-	F/B BOTTOM LE7/CLRDO/GNDVW/TOR	1
12	695517	-	-	F/B SIDE LH	1
13	695522	-	-	F/B SIDE RH	1
14	695544	-	-	FIREBOX TOP GRANVIEW	1
15	695558	-	-	F/B FRONT GRANDVIEW	1
16	986146	-	-	COVER - SECONDARY AIR	2
17	521601	-	-	SCREW; S/T 1/4"X1/2" HEX FLANGE ZP	6
18	523019	-	-	WASHER; FLAT 5/16"X5/8"X16G ZP	1
19	522117	-	-	NUT; HEX STD M6 ZP	2
20	521075	-	-	SCREW; M6X12 HEX ZP	2
21	521633	-	-	SCREW; S/T M6X25 HEX FLANGE TAPTITE	2
22	522118	-	-	NUT; HEX STD M8 ZP	16
23	521059	-	-	SCREW; M6X30 HEX ZP	4
24	523035	-	-	WASHER; FLAT M8X22X3 HVY ZP	2
25	523034	-	-	WASHER; FLAT M8X19X1.6 ZP	14
26	521066	-	-	SCREW; M8X20 HEX ZP	6
27	521070	-	-	SCREW; M8X40 HEX ZP	2

When ordering PLEASE QUOTE PART ID along with Finish Suffix (if applicable)

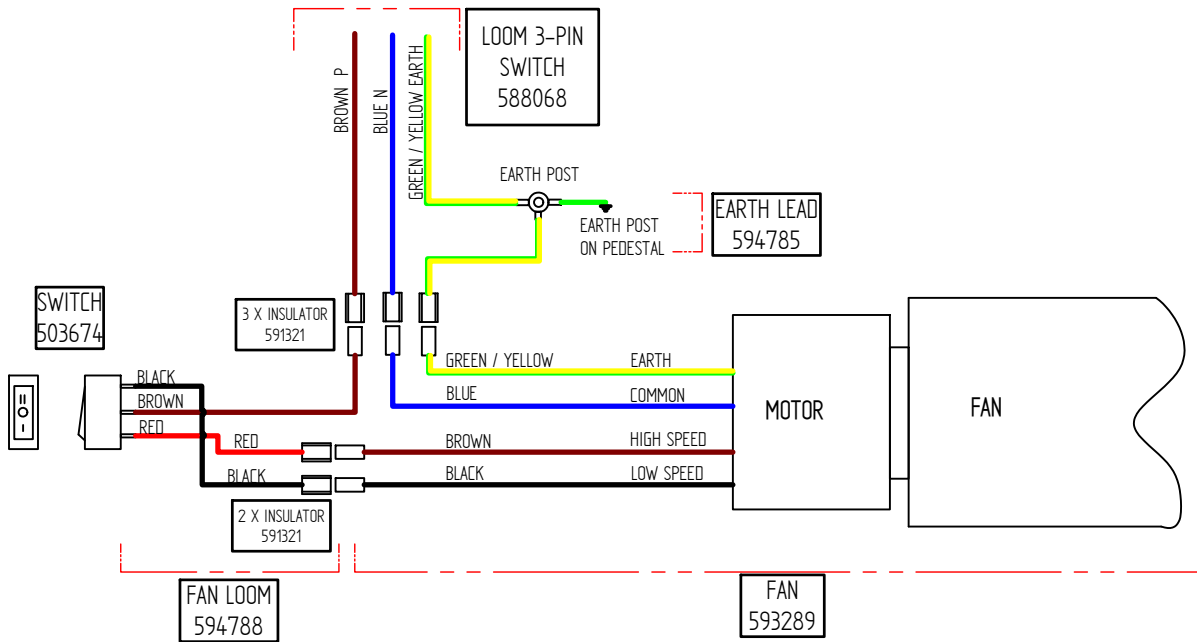
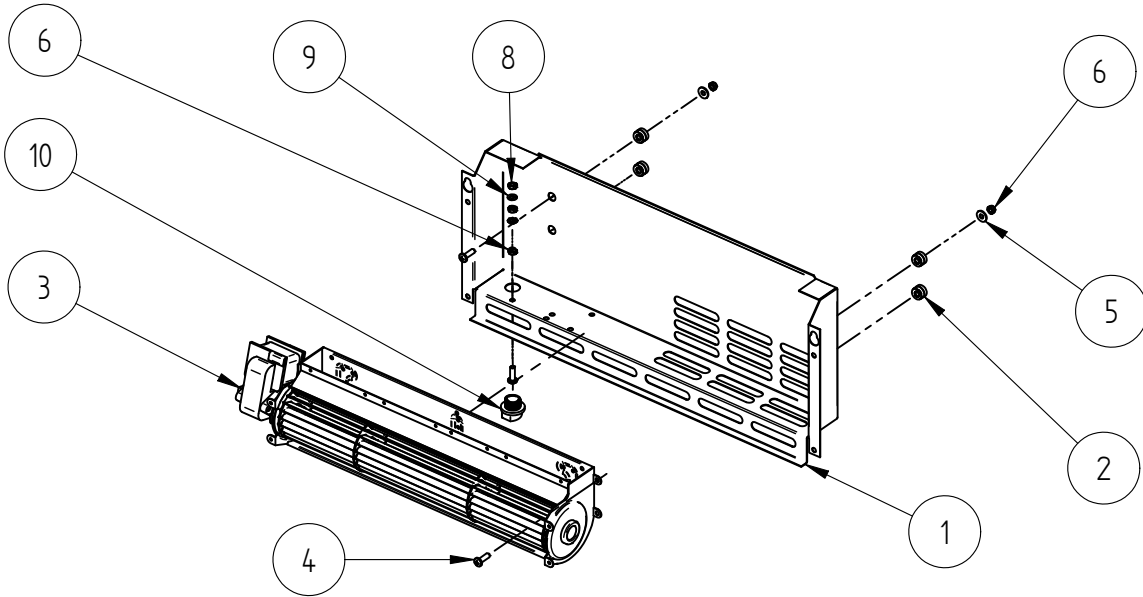
DOOR ASSEMBLY



When ordering PLEASE QUOTE PART ID along with Finish Suffix (if applicable)

DOOR ASSEMBLY : 995763, 995766					
Item	Part ID	Models		Descriptions	Qty
		995957	995958		
		995763	995766		
1	986630	-	-	LATCH DOOR ASSY 10MM BLK ZINC	1
2	995502	V03	E01	COVER DOOR, F12000	1
3	995503	V03	V02	PANEL-DOOR ASSY,GRANDV. MET BLK VHT	1
4	995504	V04	V02	FRAME ASSY-GLASS,GROVW MET BLK VHT	1
5	995511	V02	V02	CHANNEL ASSY-ROPE,HINGE GVW MET BLK VHT	1
6	995760	V03	V02	TRIM - GLASS ASSEMBLY, GRANDVIEW	2
7	995765	-	-	HANDLE-ASSY,GRANDVIEW FERROMOLY	1
8	521628	-	-	SCREW; S/T 8GX5/8" CSK POZI ZP	2
9	521630	-	-	SCREW; S/T 8GX5/16" POZI PAN BLK	10
10	523021	-	-	WASHER; FLAT M10X19X1.6 ZP	3
11	524011	-	-	RIVET; 73 MS 5-3	2
12	525001	-	-	PIN; TENSION 4X16 BLK	1
13	593330	-	-	HANDLE, DOOR, WOOD - LE4000, 4.0mm	1
14	595761	-	-	GLASS-W/F G/VIEW 5X336X389, N-ZERO	1
15	595762	-	-	GLASS-W/F G/VIEW 5X336X177, N-ZERO	2
16	C10MMGT	-	-	GLASS FIBRE TAPE 10x3x5	1
17	C15MMDR	-	-	DOOR ROPE	1
18	C30MMLT	-	-	LADDER TAPE 25x3x50m ROLL (MTR)	1
19*	786161	-	-	DOOR HANDLE KIT	1

*Optional Sale Kit



F10000/F12000 FAN BOX ASSEMBLY

Item	Part ID	Descriptions	Qty	Item	Part ID	Descriptions	Qty
1	994782	PANEL REAR FAN F10000	1	6	522305	NUT; NYLOCK M5 ZP	3
2	529402	GROMMET; 14X6	4	7*	523204	WASHER; STAR M5 EXT	1
3	593289	FAN-2 SP TANG W/F INB FER GAS 76082	1	8	522106	NUT; HEX STD M5 ZP	2
4	521033	SCREW; M5X16 PAN POZI BLK	3	9	523028	WASHER; FLAT M5 BRS	1
5	523000	WASHER; FLAT 3/16"X1/2"X18G ZP	2	10	529201	CLAMP; CABLE 16 LITTLE GRIPPER	1

When ordering PLEASE QUOTE PART ID along with Finish Suffix (if applicable)

NOT ILLUSTRATED

Item	Part ID	Models				Qty
		995961	995962	995963		
1	595803	-	-	-	INSTRUCTION - BRICK LAYOUT	1
2	593286	-	-	-	OWNER MANUAL WOODFIRES 2010	1
3	593287	-	-	-	INSTALL MANUAL WOODFIRES 2010	1
4	595770	-	-	-	INSTALLATION DATA SHEET F10000	1

SURFACE FINISH CODES FOR PANELS

VITREOUS ENAMEL		VHT PAINT(Very High Temp)		POWDER COAT	
E01	MATT BLACK	V02	METALLIC BLACK	P02	MATT BLACK
E02	GLOSS BLACK	V03	CHARCOAL	P03	CHARCOAL
E03	CHARCOAL	V04	TITANIUM	P05	SATIN BLACK
		V05	CHARCOAL (DAM MET BLK)	P09	METTALIC BLACK
		V06	METALLIC BLACK ZINC		

When ordering PLEASE QUOTE PART ID along with Finish Suffix (if applicable)